

MNT-ADAPT-SM-3

Adapter Plate and Mount for Mini IR PTZ



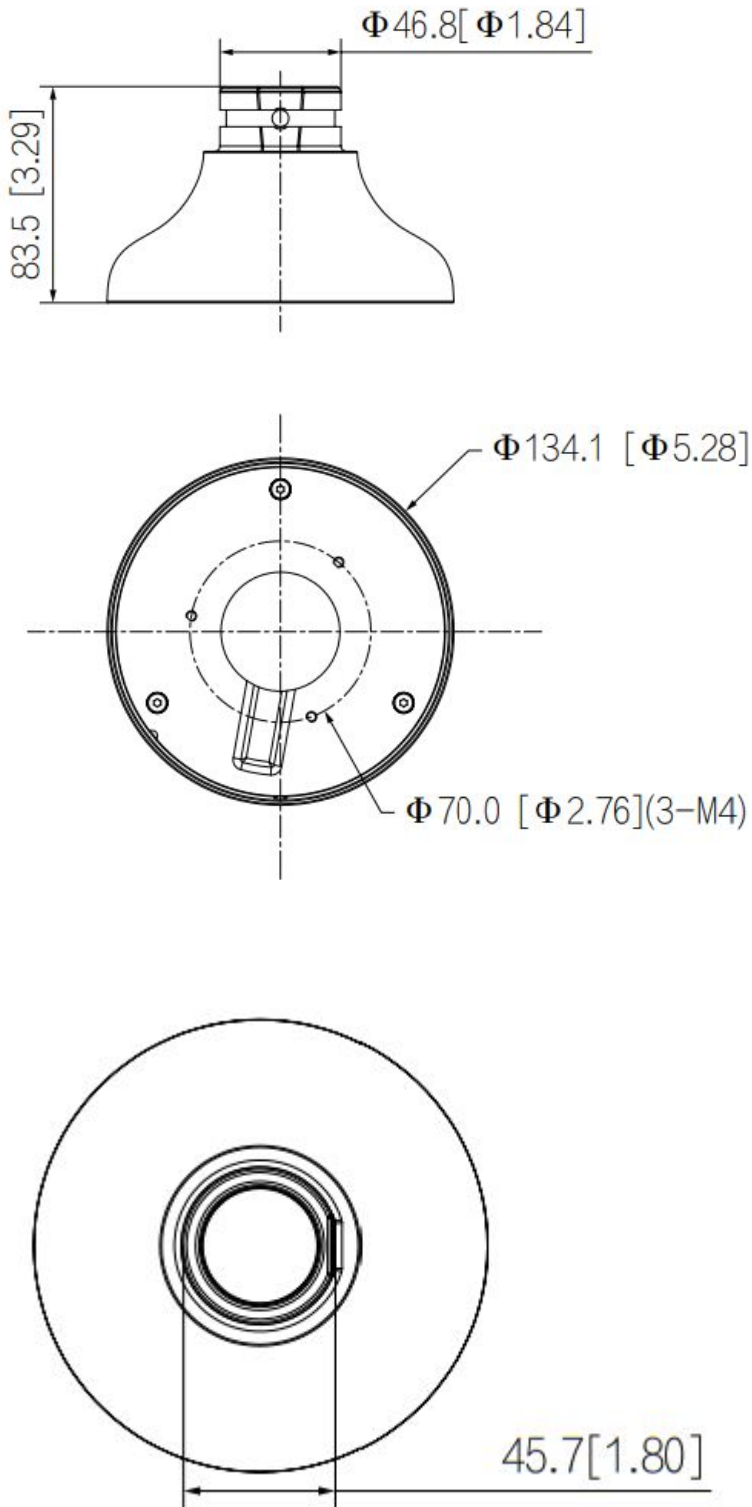
- Aesthetic Design
- Mount adapter and plate included
- Material: Aluminum
- Compatible with Mini IR PTZ IPFX-P4004-IRW1.

Technical Specification

Physical Properties

Model	MNT-ADAPT-SM-3
Material	Aluminum
Dimension(W xH xD)	Ø5.28" × 3.29" (Ø134.1 mm × 83.5 mm)
Load Bearing	2.2 lb (1kg)
Operating Temperature	-40°C~+60°C(-40°F~+140°F)
Humidity	<90% RH
Weight	0.66 lb (0.38 kg)
Color	White
Applicable Models:	Compatible with Mini IR PTZ IPFX-P4004-IRW1.

Dimensions (mm/in)



Installation

